

VITALSIGN

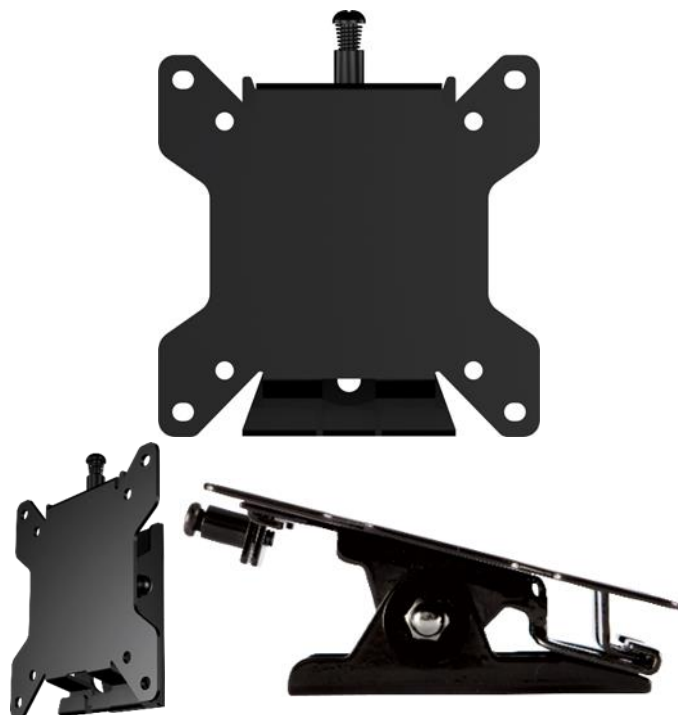
WMT-1 ADJUSTABLE WALL MOUNT

For VitalSign Series Tablets

The WMT-1 is an adjustable wall mount for the VitalSign Temperature-Check Series Tablets. It can tilt up or down, making alignment with a person easy. Improper installation may cause property damage or personal injury. If you do not understand these directions, or have doubts about the safety of the installation, contact Diversified Network Operations Center or submit a support request through the Diversified VitalSign Support Portal. Diversified is not liable for damage or injury caused by incorrect mounting, assembly, or use.

The WMT-1 is compatible with all VitalSign Temperature-Check tablets. At any time, you may tilt the WMT-1 to your desired angle; The WMT-1 should be mounted securely on a wall using the two #14 2.5" screws. Once mounted, attach any of the TTS series tablets.

The WMT-1 package includes the adjustable wall mount, as well as several screws for mounting auxiliary devices.



WMT-1	
Specifications	Measurement
Dimensions [L x W x H]	5" x 4.5" x 1.45" 12.7cm x 11.43cm x 3.68cm
Angle	Adjustable Tilt
VESA Mount	2.95" x 2.95" / 3.94" x 3.94" 75mm x 75mm / 100mm x 100mm
Weight	0.907 lb. (411.4 g)
Package Contents	WMT-1 Wall Mount, Mounting Screws

Related Products:

- VitalSign Temperature-Check Tablet
 - TTS-10, TTS-15, TTS-21
- Desktop Mounts
 - DTS-1, DTS-2, DTS-3
- Pole Stand Mount
 - APS-1

WEIGHT CAPACITY

<p>EN Maximum Weight Capacity</p> <p>ES Peso máximo de pantalla</p> <p>FR Poids maximal de l'écran</p>	<p style="font-size: 1.5em; font-weight: bold;">40lb / 18kg</p> <div style="display: flex; justify-content: space-around; align-items: center;"> </div> <p style="font-size: 0.8em; font-weight: bold;">CAUTION!</p>
---	--