

VITALSIGN

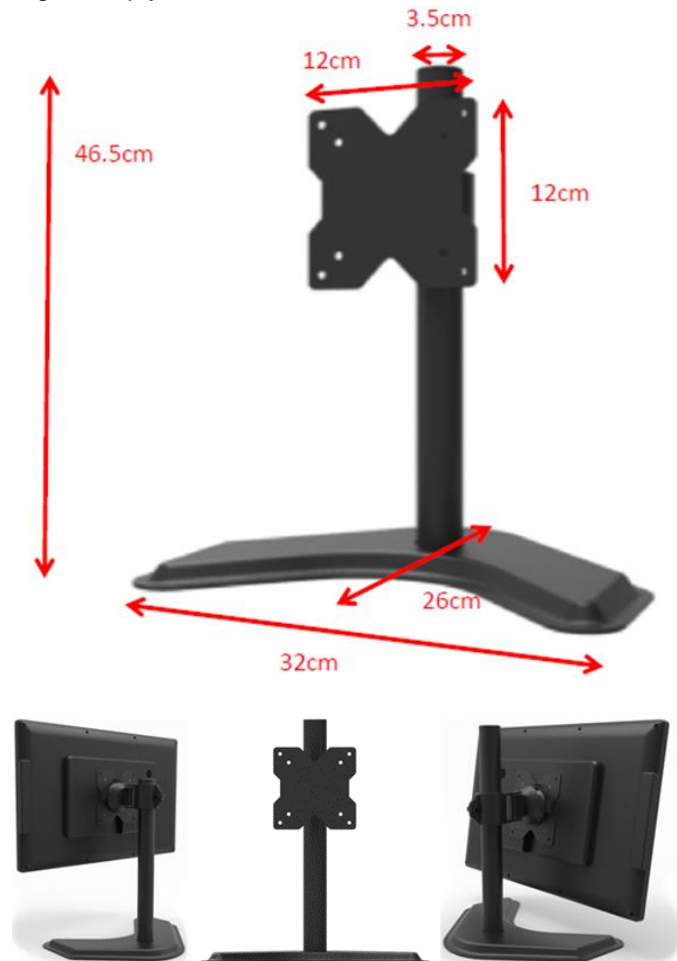
DTS-2 ADJUSTABLE DESKTOP MOUNT

For VitalSign Series Tablets

The DTS-2 is an adjustable desktop mount for the VitalSign Temperature-Check Series Tablets. It can tilt up or down, making alignment with a person easy. Improper installation may cause property damage or personal injury. If you do not understand these directions, or have doubts about the safety of the installation, contact Diversified Network Operations Center or submit a support request through the Diversified VitalSign Support Portal. Diversified is not liable for damage or injury caused by incorrect mounting, assembly, or use.

You can adjust the height of the tablet by loosening the screws attached to mounting clamp, sliding the clamp up or down, and tightening the screws again. To adjust the angle, simply tilt the VESA mount.

To assemble the DTS-2, slide the mounting pole through the bottom pole cover and connect the pole to the base. Then, loosen the VESA clamping mount screws so that they slide down the base. Tighten the VESA clamp at your desired position. Then, attach the VitalSign Tablet by screwing into the VESA mount.



DTS-2	
Specifications	Measurement
Dimensions [L x W x H]	15" x 19" x 0.25" 38.1 cm x 48.26 cm x 0.635 cm
Angle	Adjustable Tilt
VESA Mount	2.95" x 2.95" / 3.94" x 3.94" 75mm x 75mm / 100mm x 100mm
Weight	3.555 lb. (1612.521 g)
Package Contents	Mounting Base, Mounting Pole, Cable Clamp, Bottom Pole Cover, VESA Clamping Mount

Related Products:

- VitalSign Temperature-Check Tablet
 - TTS-10, TTS-15, TTS-21
- Pole Stand Mount
 - APS-1
- Desktop Mounts
 - DTS-1, DTS-3
- Wall Mount
 - WMT-1